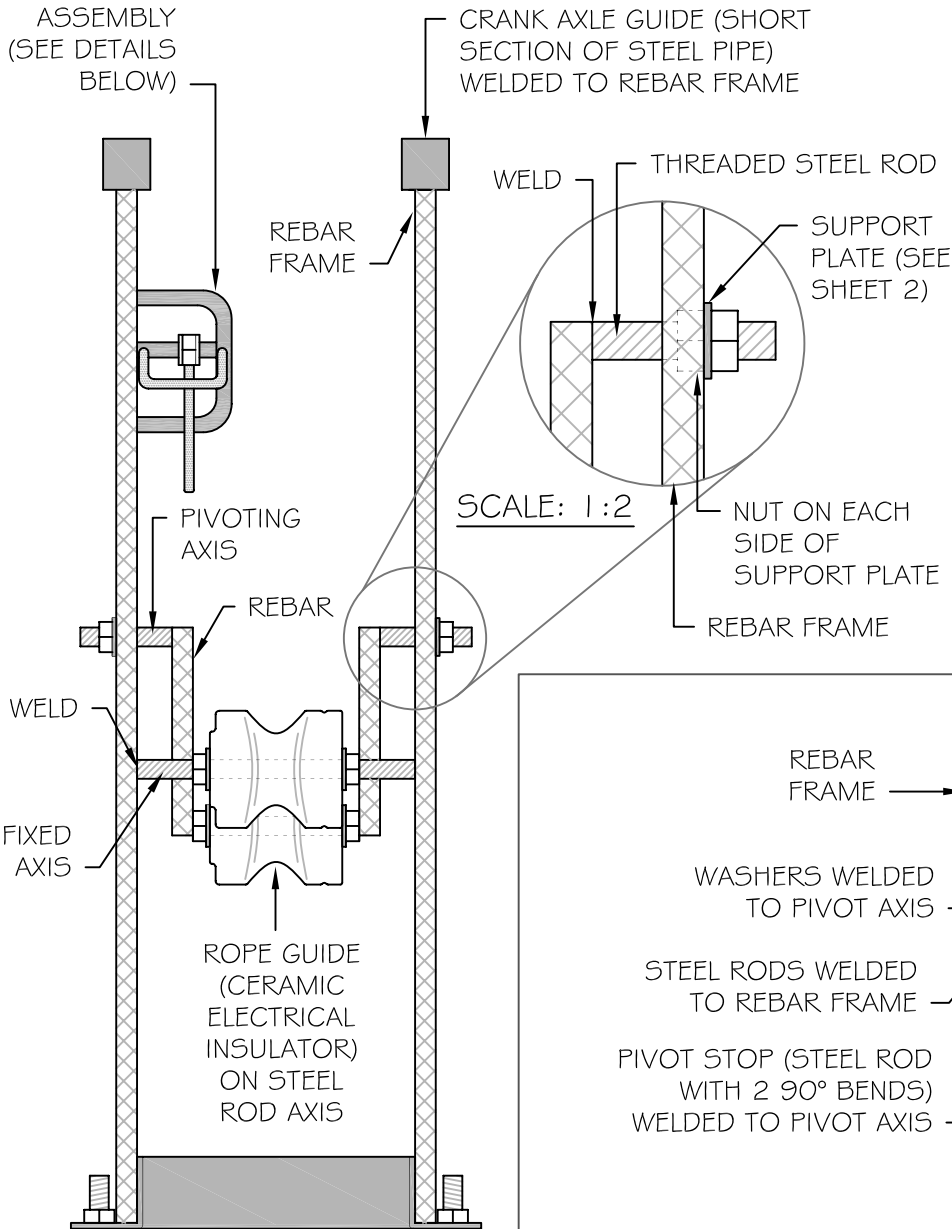
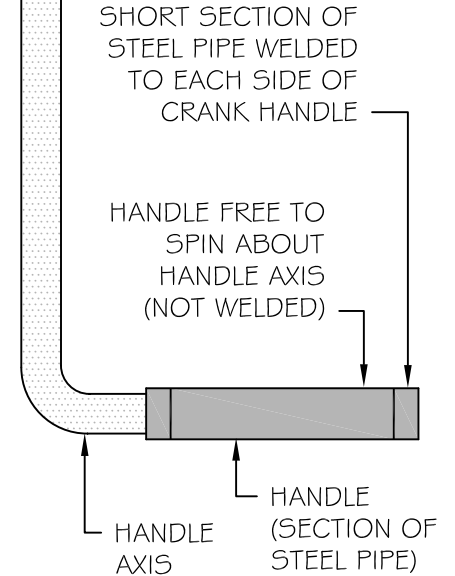


WHEEL STOP ASSEMBLY (SEE DETAILS BELOW)



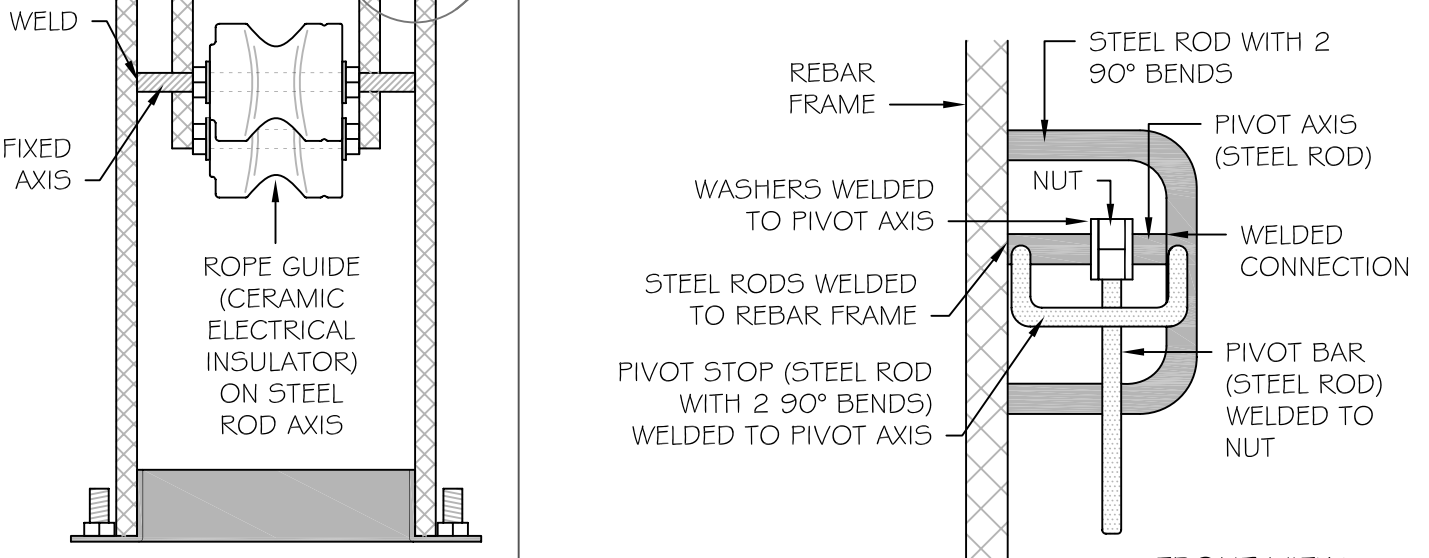
FRAME DETAIL

SCALE: 1:4



CRANK DETAIL

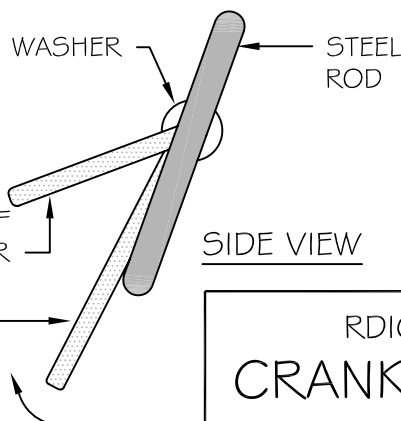
SCALE: 1:4



FRONT VIEW

WHEEL STOP ASSEMBLY DETAILS

SCALE: 1:2



SIDE VIEW

PIVOT STOP TO LIMIT RANGE OF MOTION OF PIVOT BAR

PIVOT BAR (AND NUT) FREE TO SPIN ABOUT PIVOT AXIS. PIVOT BAR TO CATCH WHEEL STOPS (SEE SHEET 3) AND PERMIT WHEEL ROTATION IN ONE DIRECTION ONLY

RDIC ROPE PUMP ASSEMBLY  
CRANK & FRAME DETAILS

SCALE: AS SHOWN

SHEET 4 OF 7