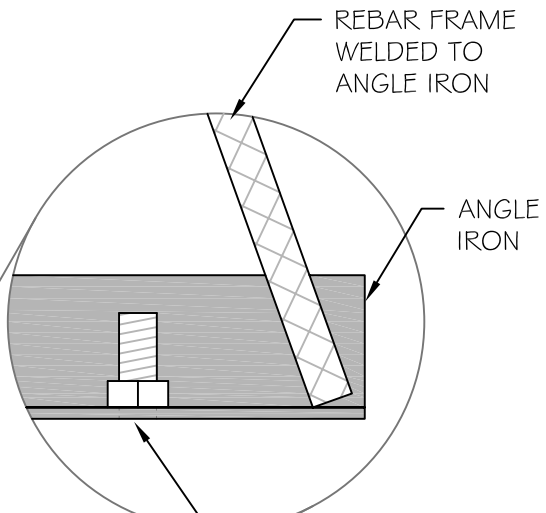
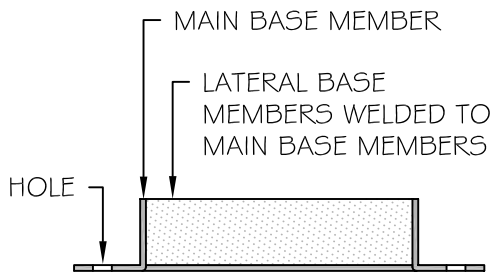


SCALE: 1:8

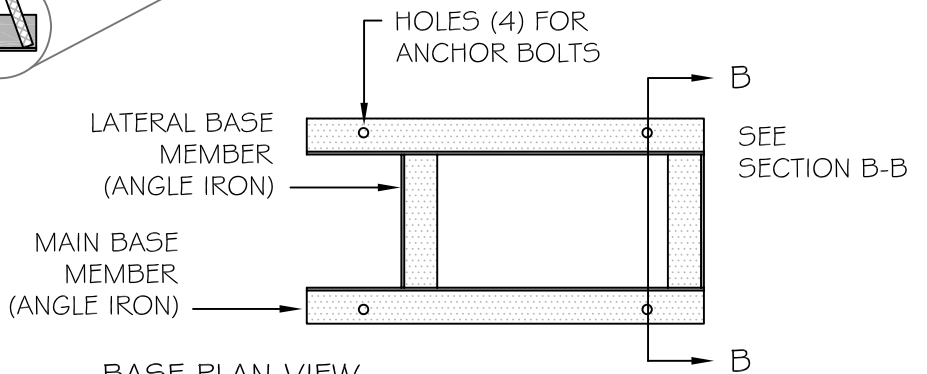


SCALE: 1:2

ANCHOR BOLT (SEE SHEET 7) & NUT

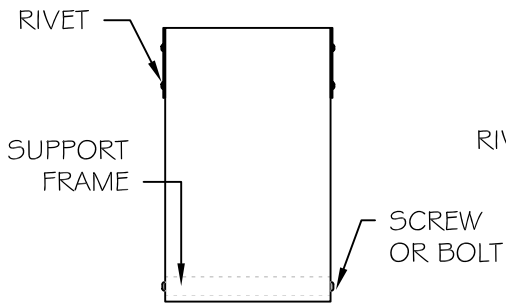


BASE SECTION B-B  
SCALE: 1:4



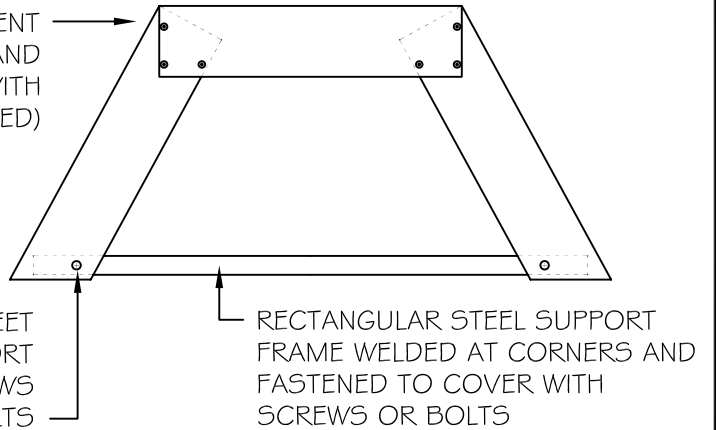
BASE PLAN VIEW  
SCALE: 1:8

BASE DETAILS & SECTION

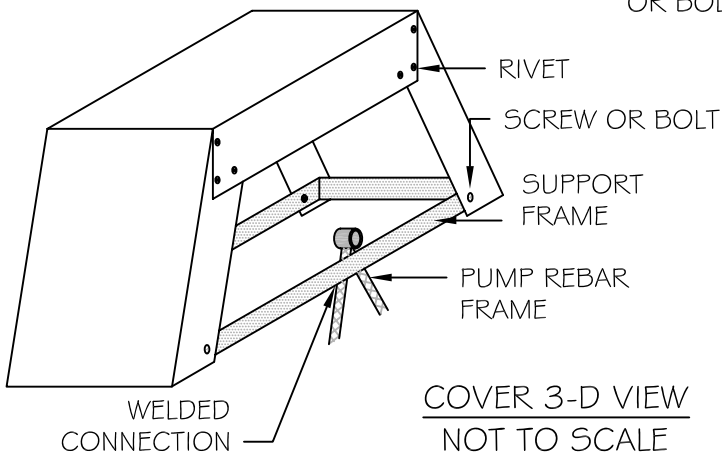


COVER SIDE VIEW  
SCALE: 1:8

SHEET METAL BENT ALONG EDGES AND FASTENED WITH RIVETS (NOT WELDED)



COVER FRONT VIEW  
SCALE: 1:8



COVER 3-D VIEW  
NOT TO SCALE

COVER DETAILS

RDIC ROPE PUMP ASSEMBLY  
BASE & COVER DETAILS

SCALE: AS SHOWN

SHEET 5 OF 7